

B3440



INTERFACES AVAILABLE:

Resolution
 Sensor
 Sensor Format

Pixel Size
 Frame Rate Standard Clock
 Frame Rate Overclocked
 Maximum Frame Rate
 Minimum S/N Ratio
 Output Format

Analog Gain Control
 Black Level Control
 Digital Gain and Offset
 RGB Gain and Offset
 White Balance
 Shutter Speed
 Exposure Control
 Long Integration
 Regions of Interest (ROI)
 Binning H/V
 Trigger Inputs

Trigger Options

Trigger Modes

Double Trigger (PIV) Interframe

External Inputs/Outputs
 Strobe Output
 RS232 Interface
 Pulse Generator
 Image Overlay
 Image Enhancement

Internal DDR Memory
 Gamma Correction
 Data Corrections

Minimum Illumination

Lens Mount
 Video Iris Control
 Iris, Zoom Focus Control
 Supply Input Range
 Power Consumption
 Size – Width/Height
 Size – Length
 Weight
 Vibration, Shock
 Environmental
 Humidity
 MTBF
 Regulatory

Camera Link® Base or Medium

3388 X 2712
 ICX-814 EXview HAD CCD II
 12.50mm (H) x 10.00 mm (V) 15.97mm diagonal
 1.0" optical format

3.69 μ m
 40 MHz / 13.7 fps
 50 MHz / 17.1 fps
 68 fps

60dB
 Mono CCD: 8, 10, 12
 Color CCD: 8, 10, 12

Manual, Auto: 0 - 36dB 1024 steps
 Manual, 1024 steps

Manual

Manual, auto, off

1us/step, 1/500,000 to 1/24 sec (nom)

Manual, auto, external

Up to 16 seconds

7 ROIs, any line to any line, any pixel to any pixel

1x, 2x, 4x, 8x (Independent for H & V)

External (TTL via IN1/IN2), pulse generator,
 software, computer

Level, edge, pulse width, internal exposure,
 up to 16 seconds trigger delay, debounce

Free-run, standard, double, fast, asynchronous,
 frame accumulation

Time: 200 nanoseconds

2 IN, 2 OUT, user programmable

2 strobes, programmable position and duration

Yes, programmable

Yes, programmable

Optical center, programmable H & V lines

Threshold, contrast enhancement, knee correction,
 horizontal flip, negative image, bit shift (+/- 7 places)

2Gb (256 MB)

G=1.0, G=0.45, user upgradeable LUT

Defective/hot pixel correction (static, dynamic), FFC,
 black level, vertical smear

0.5 Lux, F/1.4

C-Mount

Auto, programmable

Manual, user programmable

12VDC (10V - 15V), 1.5 A inrush

CLM 7.1 W

46mm (W) x 46mm (H) – Applies to all interfaces

CLM 53.1mm (L)

352g

100g (20-200) HZ XYZ, 1000g

-40°C to +85°C Operating, -50°C to +90°C Storage

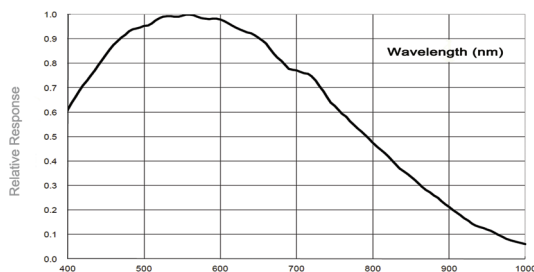
10% to 90% non-condensing

>660,000 hours @ 40°C (Telcordia SR-332)

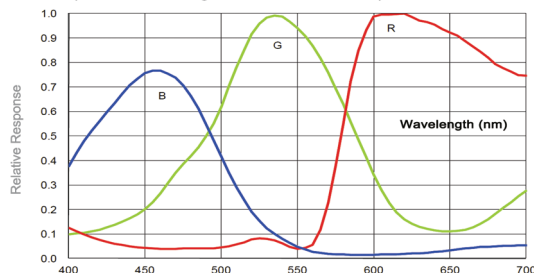
FCC 15 part A, CE, RoHS

IMPERX: Technically superior products, full tech support, rapid-response customer care. “Bobcat 2.0” adds many new features, lens control, more memory and enhanced image quality. Each easy to use Bobcat is supported by IMPERX professionals.

Monochrome with Microlens ICX-814
 (Excludes lens & light source characteristics)



Color with Microlens
 (Excludes lens & light source characteristics)





WWW.IMPERX.COM

Hirose Connectors

Power and I/O Interface

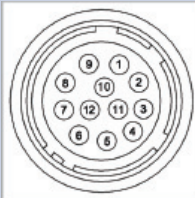


- | | |
|-----------------|-----------------|
| 1 12V DC Return | 7 OUT1 Signal |
| 2 +12V DC | 8 IN1 Signal |
| 3 IRIS VCC | 9 IN2 Signal |
| 4 IRIS Video | 10 IN1/2 Return |
| 5 IRIS Return | 11 Reserved |
| 6 OUT1/2 Return | 12 OUT2 Signal |

Connector: Hirose HR 10A- 10R- 12PB(71)

Lens Control/RS232

See manual for PIN information



- | | |
|---------------|-------------|
| 1 IRIS Return | 7 FOCUS + |
| 2 IRIS VCC | 8 ZOOM - |
| 3 IRIS Video | 9 ZOOM + |
| 4 IRIS - | 10 UART_COM |
| 5 IRIS + | 11 UART_RX |
| 6 FOCUS - | 12 UART_TX |

Connector: Hirose HR 10A- 10R- 12SB(71)

B3440 Ordering Information

Interfaces available

Camera Link® Medium (CLM)

Sensor types available

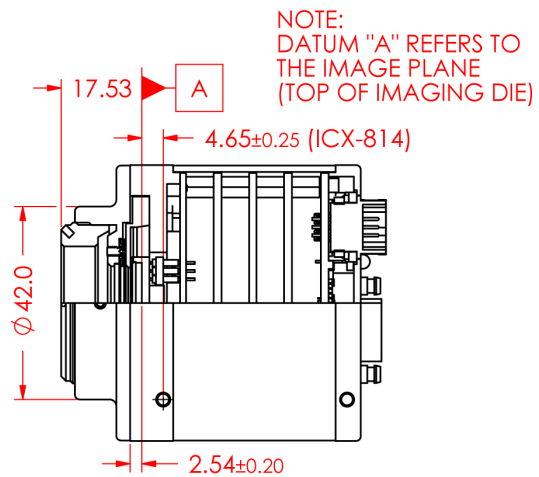
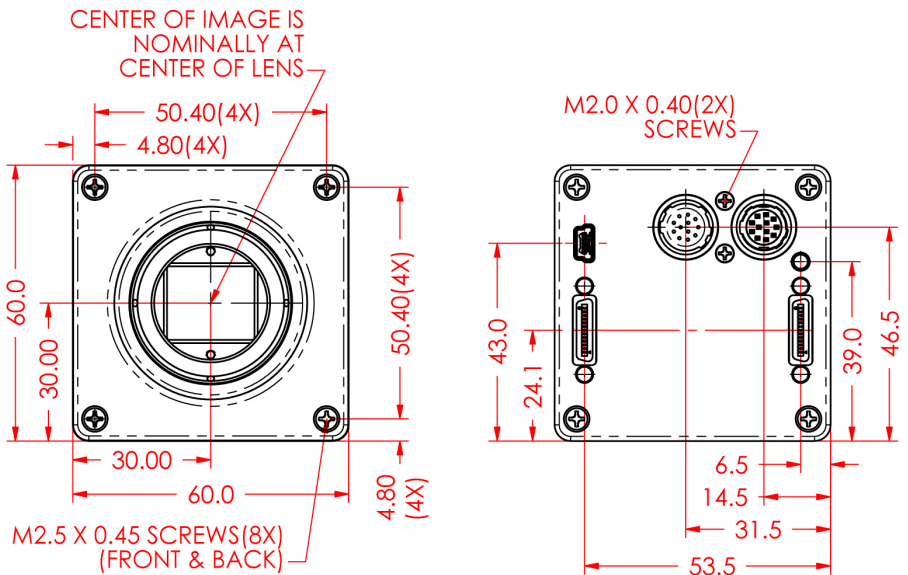
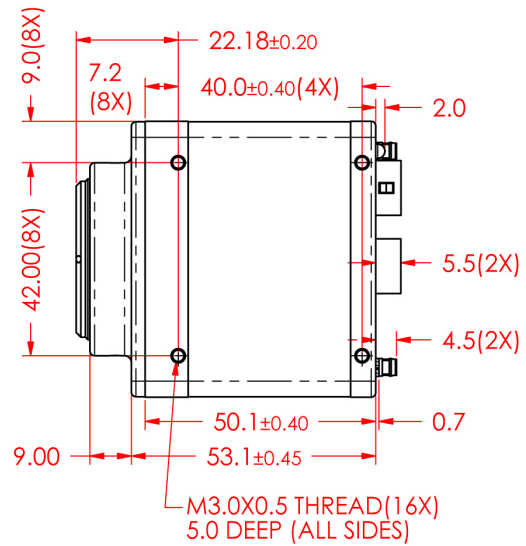
Monochrome

Bayer Color

Accessories (Sold separately)

PS12v04-Power Supply w/ 1 input and 1 output

PS12v05-Power Supply (as above) and Video Iris



Quality Management System ISO 9001:2008 Registered
Environmental Management System ISO 14001:2004 Registered
DDTC Registered (Directorate of Defense Trade Controls, US Department of State)



bobcat-B3440_Rev1