

B4841



IMPERX: Technically superior products, full tech support, rapid-response customer care. “Bobcat 2.0” adds many new features, lens control, more memory and enhanced image quality. Each easy to use Bobcat is supported by IMPERX professionals.

INTERFACES AVAILABLE:

Resolution

Sensor

Sensor Format

Pixel Size

Frame Rate Standard Clock

Frame Rate Overclocked

Maximum Frame Rate

Minimum S/N Ratio

Output Format

Analog Gain Control

Black Level Control

Digital Gain and Offset

RGB Gain and Offset

White Balance

Shutter Speed

Exposure Control

Long Integration

Regions of Interest (ROI)

Binning H/V

Trigger Inputs

Trigger Options

Trigger Modes

Double Trigger (PIV) Interframe

External Inputs/Outputs

Strobe Output

RS232 Interface

Pulse Generator

Image Overlay

Image Enhancement

Internal DDR Memory

Gamma Correction

Data Corrections

Minimum Illumination

Lens Mount

Iris, Zoom Focus Control

Supply Input Range

Power Consumption

Size – Width/Height

Size – Length

Weight

Vibration, Shock

Environmental

Humidity

MTBF

Regulatory

Camera Link® Base or Medium

4896 x 3264 (std.), 4920 x 3280 (max.)

KAI-16050, CCD

26.93mm (H) x 17.95 mm (V) 32.36mm diagonal,
32.36mm optical format5.5 μ m

30 MHz / 6.6 fps

40 MHz / 8.8 fps

55 fps

60dB

Mono CCD: 8, 10, 12

Color CCD: 8, 10, 12

TRUESENSE Sparse CFA

Manual, Auto: 0 - 36dB 1024 steps

Manual, 1024 steps

Manual

Manual

Manual, auto, off

1us/step, 1/250,000 to 1/8 sec (nom)

Manual, auto, external

Up to 16 seconds

7 ROIs, any line to any line, any pixel to any pixel

1x, 2x, 3x, 4x, 8x (Independent for H & V)

External (TTL via IN1/IN2), pulse generator,

software, computer

Level, edge, pulse width, internal exposure,

up to 16 seconds trigger delay, debounce

Free-run, standard, double, fast, asynchronous,

frame accumulation

Time: 200 nanoseconds

2 IN, 2 OUT, user programmable

2 strobes, programmable position and duration

Yes, programmable

Yes, programmable

Optical center, programmable H & V lines

Threshold, contrast enhancement, knee correction,

horizontal flip, negative image, bit shift (+/- 7 places)

2Gb (256 MB)

G=1.0, G=0.45, user upgradeable LUT

Defective/hot pixel correction (static, dynamic), FFC,

black level, vertical smear

1 Lux, F/ 1.4

F-Mount (Default), C, M42, EOS, Rodenstock,

Custom OEM

Manual, user programmable (motorized lens, custom)

12VDC (10V - 15V), 1.5 A inrush

CLM 7.2 W

60mm (W) x 60mm (H) – Applies to all interfaces

CLM 53.1mm (L)

CLM 362g

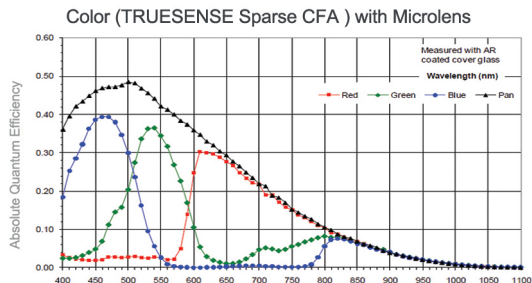
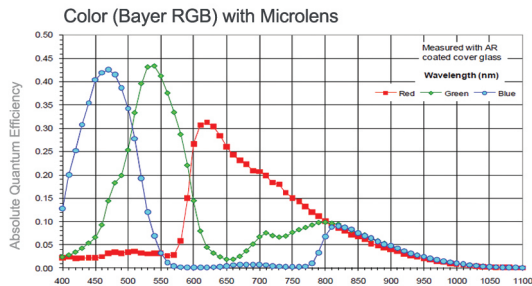
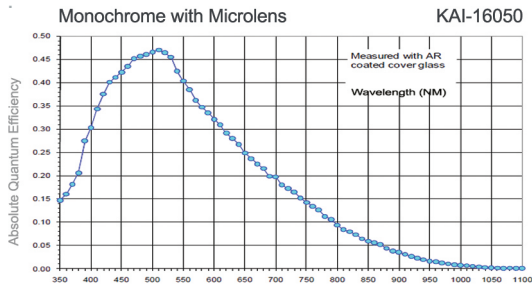
100g (20-200) HZ XYZ, 1000g

-40°C to +85°C Operating, -50°C to +90°C Storage

10% to 90% non-condensing

>660,000 hours @ 40°C (Telcordia SR-332)

FCC 15 part A, CE, RoHS





WWW.IMPERX.COM

Hirose Connectors

Power and I/O Interface

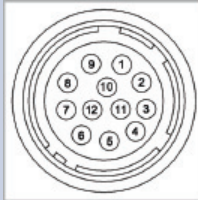


- | | |
|-----------------|-----------------|
| 1 12V DC Return | 7 OUT1 Signal |
| 2 +12V DC | 8 IN1 Signal |
| 3 IRIS VCC | 9 IN2 Signal |
| 4 IRIS Video | 10 IN1/2 Return |
| 5 IRIS Return | 11 Reserved |
| 6 OUT1/2 Return | 12 OUT2 Signal |

Connector:
Hirose HR 10A- 10R- 12PB(71)

Lens Control/RS232

See manual for PIN information



- | | |
|---------------|-------------|
| 1 IRIS Return | 7 FOCUS + |
| 2 IRIS VCC | 8 ZOOM - |
| 3 IRIS Video | 9 ZOOM + |
| 4 IRIS - | 10 UART_COM |
| 5 IRIS + | 11 UART_RX |
| 6 FOCUS - | 12 UART_TX |

Connector:
Hirose HR 10A- 10R- 12SB(71)

* Canon EOS control available

B4841 Ordering Information

Interfaces available

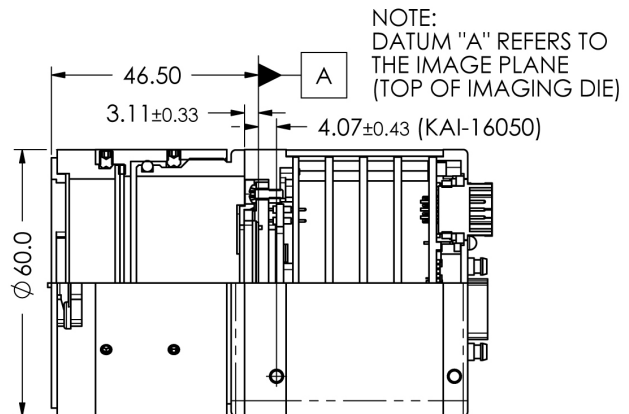
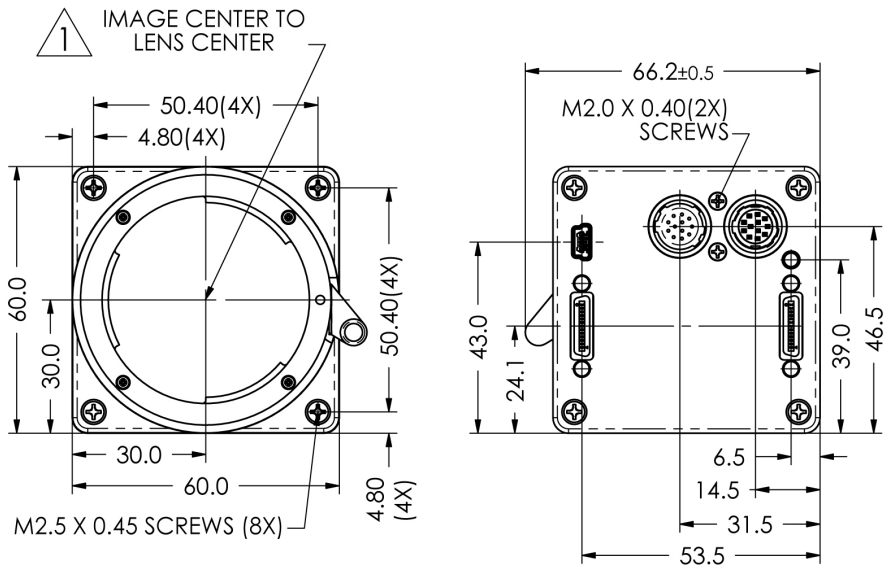
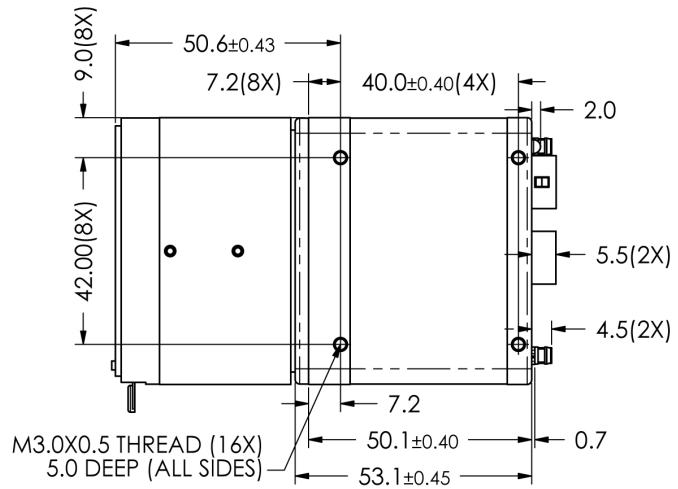
Camera Link® Medium (CLM)

Sensor types available

- Monochrome
- Bayer Color
- TRUESENSE Sparse CFA

Accessories (Sold separately)

- PS12v04-Power Supply w/ 1 input and 1 output
- PS12v05-Power Supply (as above) and Video Iris



Quality Management System ISO 9001:2008 Registered
Environmental Management System ISO 14001:2004 Registered
DDTC Registered (Directorate of Defense Trade Controls, US Department of State)



bobcat-B4841,Rev1