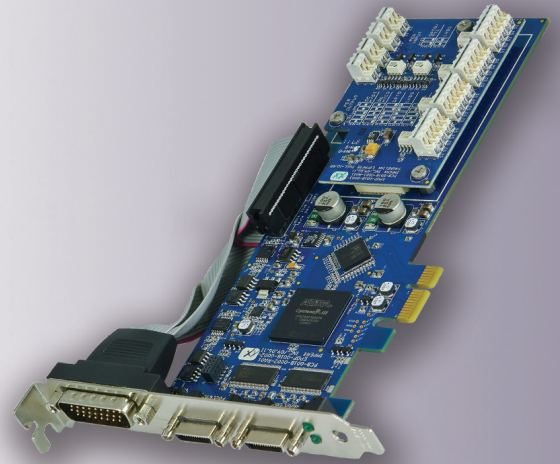




PCIe x1 Camera Link with PoCL and I/O Video Capture Card



Framelink PCIe x1 Card (VCE-CLPCIe02)

Simultaneous acquisition from two base Camera Link cameras or one medium Camera Link camera. Fully PoCL with SafePower compliant. Includes a comprehensive Programmable Logic Controller and 8 I/O signals.

IMPERX Framelink PCIe x1 is a professional level PCI Express video capture card that enables users to view and store in real time mega pixel images from any Camera Link® source onto desktop computers. The Framelink PCIe x1 is capable of capturing single or multiple frames and standard AVI clips from any base or medium Camera Link compliant video source. Each captured frame can be stamped with a user message along with the date and time of capture. The Framelink VCE-CLPCIe02 comes with easy to use camera configuration software for fast integration of the card into demanding machine vision environments.

- Supports two independent base or one medium Camera Link interfaces
- PCIe x1 compliant providing 2.5 Gbps of bandwidth
- Intelligent scatter/gather DMA for fast, efficient use of PCIe bandwidth and system memory
- Flow-through pipeline architecture for low latency
- Many advanced features including look up tables, histograms, RGB gain/offset with auto-white balance, hex pixel dump, etc.
- Bayer pattern interpolation
- Unique 'auto-learn' feature automatically recognizes camera parameters and simplifies CAM file creation
- Fully compliant with the Power over Camera Link (PoCL) and Safe Power specifications
- Built in comprehensive programmable logic controller (PLC)
- Includes 4 external inputs each configurable as TTL, LVDS or Opto-coupled
- Includes 4 general outputs each configurable as TTL, LVDS, Opto-coupled or Open Collector

APPLICATIONS

Aerial Mapping
Aerial Robots: Military, Police
Aerospace
Agriculture

Automation
Automotive
Biometrics
Broadcasting
Printed Circuit Board (PCB)

Electronics
Energy/Solar/Wind Power
Homeland Security
Law Enforcement
Intelligent Traffic Systems (ITS)

Medical Devices
Metrology
Microscopy
Military/Defense
Pharmaceuticals

Particle Image Velocimetry (PIV)
Robotics
Scientific Imaging
Surveillance
Semiconductors



Framelink PCIe x1 Express Card VCE-CLPCIe02 Specifications

Features Simultaneous acquisition from two base Camera Link cameras or one medium Camera Link camera
 PCIe x1 lane providing 2.5 Gbps of bandwidth
 Intelligent scatter/gather DMA
 Flow-through pipelined architecture
 Dynamic buffer allocation
 PoCL with Safe Power compliance
 Selectable window sizes
 Adjustable RGB brightness and auto white balance
 Bayer pattern interpolation
 Built in programmable logic controller (PLC)
 Supports 4 general purpose inputs and 4 outputs
 Captures single, multiple frames or AVI clips
 Normal or delay capture
 Date, time and text overlay
 BMP, TIFF or adjustable JPEG file format
 Image viewer with DVR controls

Software Application program: Full featured, intuitive, easy to use GUI
 Drivers: Win XP/2000/Vista/7 in 32 and 64 bit versions,
 DirectX, Labview, Matlab, Halcon, MIL, Linux
 SDK: C/C++, COM, .NET, ActiveX—all with sample source code

Video Source Two CameraLink inputs configured as dual base or single medium:
 • Uses two mini-CL (SDR/HDR) connectors
 • Base: 24 video data bits plus strobes and clock per channel
 • Medium: 48 video data bits plus strobes and clock per channel
 • 4 camera control bits (CC1 to CC4) per channel
 • Bi-directional serial interface per channel

Video Format Base: 1x8, 2x8, 3x8, 1x10, 2x10, 1x12, 2x12, 1x14, 1x16 and 3x8 (RGB24)
 Medium: All base modes + 4x8, 3x10, 4x10, 3x12, 4x12, RGB30 and RGB36
 Monochrome and color (RGB, Bayer and TRUESENSE)

Power 3.3V DC +/-5%, 500 mA steady
 1.65W constant power

Environmental Operating temperature: 0°C to 65°C
 Relative humidity: 90% non-condensing

Regulatory FCC 15 part B, CE, RoHS

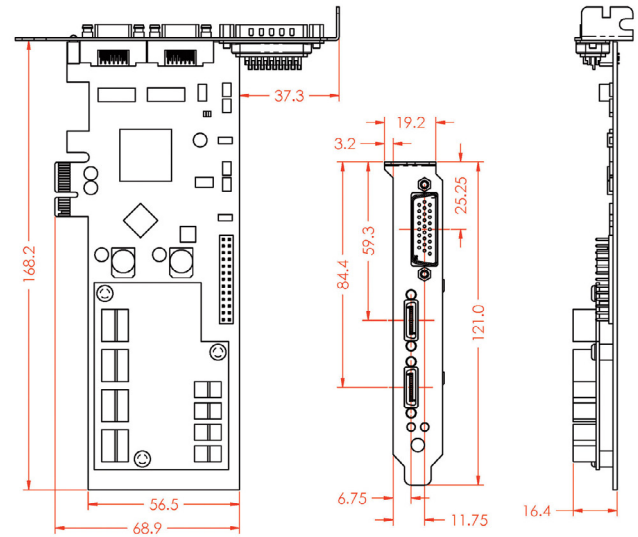
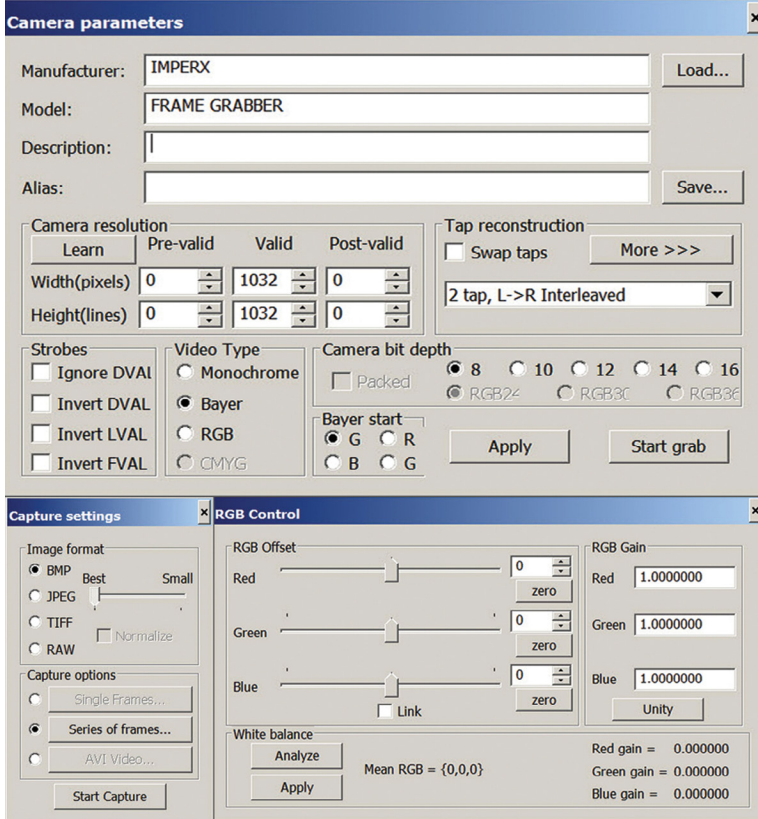
Mechanical Low profile PCI Express form factor
 Weight 3.88 oz., 110g

Order: VCE-CLPCIe02

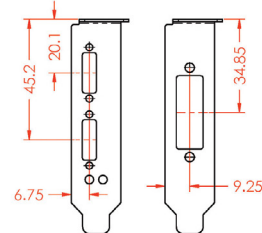
For specific details and ordering information, consult the Framelink user's manual or contact IMPERX at sales@imperx.com.

Software

Mechanical Dimensions



ALSO SUPPLIED WITH LOW PROFILE BRACKETS



IMPERX | 6421 Congress Avenue | Boca Raton | FL 33487 | USA
 Phone: +1-561-989-0006 | 1-866-849-1662 | Fax: +1-561-989-0045
 www.imperx.com | sales@imperx.com

