

CHEETAH

RUGGEDIZED CAMERA SERIES

Front View

Rear View

C2410Y/Z

CMOS 5 MP with Polarization Filters

GigE Vision® with Power over Ethernet (PoE)

Imperx: C2410Y/Z

The POE-C2410Y/Z camera features the Sony Pregius IMX250MY/ZR Global Shutter CMOS sensor with a native resolution of 2464 x 2056 in a 2/3" optical format delivering up to 22 frames per second with GigE Vision® Power over Ethernet (PoE) output. The sensor is available in monochrome (Z) or color (Y) versions and has a unique 2x2 pixel sub-array where each pixel within the sub-array senses a different polarization angle (0, 45, 90 or 135 degrees). This allows the user to obtain images with four different polarization angles in each image capture. The camera allows the user to select and view images from each polarization angle or save raw image files with all four polarization angles. The C2410Y/Z's flexibility, outstanding sensitivity, and speed make it suitable for a broad range of diverse and demanding applications from reducing glare off glass, water, and painted surfaces to materials science or 3D image reconstruction.

Specifications

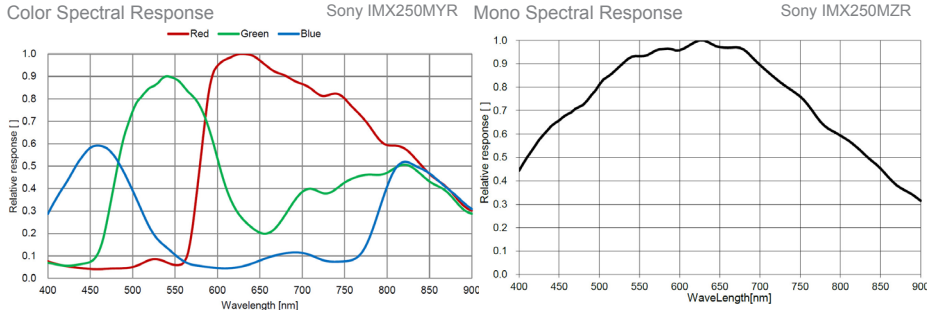
| Feature | Description | Feature | Description |
|---------------------------|--|----------------------------|---|
| Output Interface | GigE Vision® with Power over Ethernet (PoE) | Strobe Output | 2 strobes, programmable position and duration |
| Resolution | 2464 (H) x 2056 (V) 1232 (H) x 1028 (V) per polarization angle | Pulse Generator | Yes, programmable |
| Sensor | Sony Pregius IMX250MY/ZR CMOS color (Y) or monochrome (Z) | Data Correction | 2 LUTs pre-programmed with Gamma 0.45, 2 LUTs pre-programmed with Negative LUT Bad pixel correction (static), Flat field correction |
| Sensor Format | 8.5 mm (H) x 7.1 mm (V), 2/3" optical format | Lens Mount | C-Mount (default) |
| Pixel Size | 3.45 microns square | P-Iris | Optional |
| Shutter | Global shutter (GS) | P-Iris Control | Auto, Programmable |
| Sensor Digitization | 12-bit | Supply Voltage Range | 12 V DC (6 V – 30 V), 1.5 A inrush @ 12 V PoE (IEEE 802.3af / IEEE 802.3at) |
| Frame Rate | 22 fps (8-bit), 11 fps (10-bit/12-bit unpacked), 15 fps (10-bit/12-bit packed) | Power Consumption | 3.24 W @ 12 V; PoE: 4.69 W |
| Dynamic Range | 71 dB | Camera Current | Typical: 270 mA @ 12 V |
| Output Bit Depth | 8, 10, 12-bit | Size - Width/Height/Length | 37 mm (W) x 37 mm (H) x 61.6 mm (L) |
| Analog/Digital Gain | Manual, Auto; 0 dB – 48 dB, 480 steps | Weight | 125.2 g |
| Digital Gain | 1x (0 dB) to 4x (12 dB) with a precision of 0.001x | Vibration, Shock | 20G (20 – 200 Hz XYZ)/100G |
| Black Level Offset | Manual (0 – 4095), Auto | Environmental | -30 °C to +75 °C Operating, -40 °C to +85 °C Storage |
| White Balance | Manual, Auto, Off, Once | Humidity | 10% to 90% non-condensing |
| Shutter Speed | 35 µs to 16.0 s | MTBF (Telcordia SR-332) | 530,000 hours @ 50 °C (EST) |
| Exposure Control | Off, Manual, Auto, External | Military Standard | MIL-STD-810G |
| Regions of Interest (ROI) | 2 ROI | Regulatory | FCC Part 15, CE, RoHS, UKCA |
| Polarization Modes | 0, 45, 90, and 135 degrees, Off | | |
| Trigger Inputs | External, Pulse Generator, Software | | |
| Trigger Options | Edge, Pulse width, Trigger delay, Debounce | | |
| Trigger Modes | Free run, Standard, Fast | | |
| External Inputs/Outputs | 2 IN (OPTO, LVTTTL) / 2 OUT (OPTO, TTL) | | |

Imperx: C2410Y/Z Applications

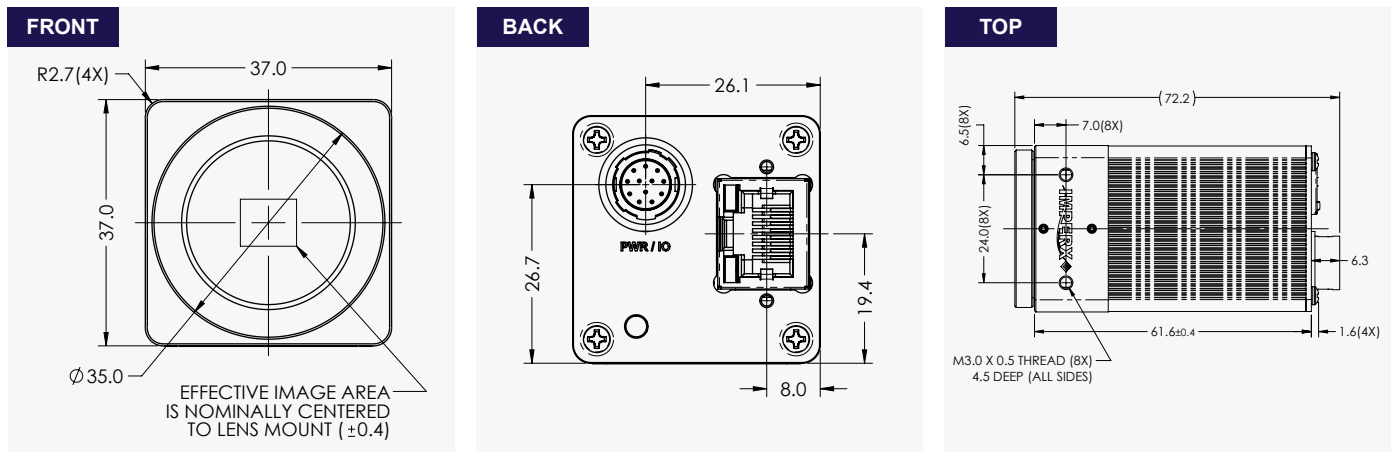
The POE-C2410Y/Z incorporates a number of unique features tailored to reduce system complexity, maximize interface bandwidth, and expand the usable operational range.

Aerospace • Satellites • Surveillance • Ball Grid Array • Printed Circuit Board Inspection • Motion Analysis • Broadcast Television • Telepresence • Unmanned Aerial Vehicles • Machine Vision • Intelligent Traffic Systems • Aerial Imaging • Open Road Tolling Systems • Situational Awareness

Absolute Quantum Efficiency



Dimensions

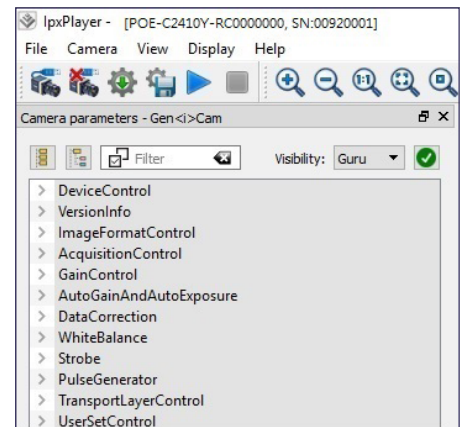


Ordering Information

| Output Interface |
|--|
| GiGE Vision® with Power over Ethernet (PoE®) |
| Sensor Types available |
| C2410Y = Color |
| C2410Z = Monochrome |

| Lens Mounts |
|--|
| C-Mount (Default) P-Iris (Optional) |
| Accessories (Sold separately) |
| PS12V14A – Power Supply w/ 1 input and 1 output |
| PS12V18A – Power Supply w/ 1 input, 1 output, and a P-Iris connector |

Gen<I>Cam Compliant Camera Configurator



Hirose Connectors

| Power and I/O Interface | | | | | | | | | | | | |
|--|------------------|---------------|------------------|---------------|-------------|-----------------|-------------|-------------|--------------------|-------------|-------------|-----------------|
| | | | | | | | | | | | | |
| <table border="0"> <tr> <td>1. 12 VDC Return</td> <td>7. OUT1 (TTL)</td> </tr> <tr> <td>2. +12 VDC Power</td> <td>8. IN1 (OPTO)</td> </tr> <tr> <td>3. Reserved</td> <td>9. IN2 (LVTTTL)</td> </tr> <tr> <td>4. Reserved</td> <td>10. IN1 RTN</td> </tr> <tr> <td>5. OUT2 RTN (OPTO)</td> <td>11. IN2 RTN</td> </tr> <tr> <td>6. OUT1 RTN</td> <td>12. OUT2 (OPTO)</td> </tr> </table> | 1. 12 VDC Return | 7. OUT1 (TTL) | 2. +12 VDC Power | 8. IN1 (OPTO) | 3. Reserved | 9. IN2 (LVTTTL) | 4. Reserved | 10. IN1 RTN | 5. OUT2 RTN (OPTO) | 11. IN2 RTN | 6. OUT1 RTN | 12. OUT2 (OPTO) |
| 1. 12 VDC Return | 7. OUT1 (TTL) | | | | | | | | | | | |
| 2. +12 VDC Power | 8. IN1 (OPTO) | | | | | | | | | | | |
| 3. Reserved | 9. IN2 (LVTTTL) | | | | | | | | | | | |
| 4. Reserved | 10. IN1 RTN | | | | | | | | | | | |
| 5. OUT2 RTN (OPTO) | 11. IN2 RTN | | | | | | | | | | | |
| 6. OUT1 RTN | 12. OUT2 (OPTO) | | | | | | | | | | | |

Connector: Hirose HR10A-10R-12PB(71)

Rev: poe_c2410Y/Z_r5_2022

Quality Management System ISO 9001:2015 Registered
 Environmental Management System ISO 14001:2015 Registered
 DDTC Registered (Directorate of Defense Trade Controls, US Department of State)



IMPERX 6421 Congress Ave., Boca Raton, FL 33487, USA
 Tel: +1-561-989-0006. Email: sales@imperx.com

WWW.IMPERX.COM

Technical data has been fully checked, but accuracy of printed matter is not guaranteed. Subject to change without notice. Copyright 2022.

