

CHEETAH

RUGGEDIZED CAMERA SERIES

Front View

Rear View

P67-C2410 CMOS 5 MP

GigE Vision® with Power over Ethernet (PoE)

Imperx: C2410

The P67-C2410 provides the same robust camera design as the POE-C2410 with an IP67 enclosure. This camera features the Sony Pregius IMX264 Global Shutter CMOS sensor with a native resolution of 2464 x 2056 in a 2/3" optical format delivering up to 22 frames per second with GigE Vision®, Power over Ethernet (PoE)® output. Imperx puts you in control by providing the user the ability to set the camera up very easily. The Cheetah is designed to provide the optimal image quality for simple imaging applications to the most demanding of applications. Using the simple GenCam™ compliant user interface, you can easily apply image corrections to enhance recognition or quality. By combining the powerful Imperx camera control with an IP67 rated housing to protect the camera from dust, water and other contaminants the camera can be utilized in harsh environments.

Specifications

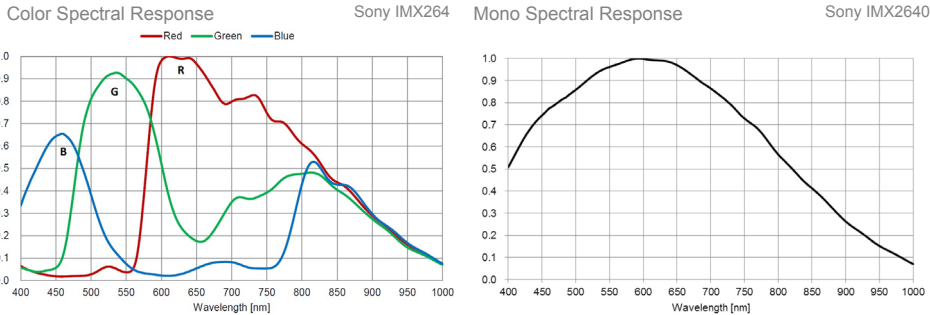
Feature	Description	Feature	Description
Output Interface	GigE Vision® with Power over Ethernet (PoE)	Data Corrections	2 LUTs pre-programmed with Gamma 0.45, 2 LUTs pre-programmed with Negative LUT Bad pixel correction (static), Flat field correction
Resolution	2464 (H) x 2056 (V)	Lens Mount	C-Mount
Sensor	Sony Pregius IMX264 CMOS Color/Mono	Supply Voltage Range	12 V DC (6 V – 30 V), 1.5 A inrush @ 12 V PoE (IEEE 802.3af / IEEE 802.3at)
Sensor Format	8.5 mm (H) x 7.1 mm (V), 2/3" optical format	Power Consumption	Typical: 3.24 W @ 12 V; PoE: 4.69 W
Pixel Size	3.45 microns square	Camera Current	Typical: 270 mA @ 12 V
Shutter	Global shutter (GS)	Size - Width/Height/Length	48.5 mm (W) x 42.0 mm (H) x 61 mm (L) (without connectors and a lens tube)
Sensor Digitization	12-bit	Lens Tube Dimensions	44 mm Lens tube: -Inner diameter 44 mm -Outer diameter 50 mm -Length varies (see IP67 lens tubes spec sheet)
Frame Rate	22 fps (8-bit), 11 fps (10-bit/12-bit unpacked), 15 fps (10-bit/12-bit packed)	64 mm Lens tube: -Inner diameter 64 mm -Outer diameter 70 mm -Length varies (see IP67 lens tubes spec sheet)	
Dynamic Range	71 dB	Weight	196 g (without a lens tube)
Output Bit Depth	8, 10, 12-bit	Vibration, Shock	20G (20 – 200 Hz XYZ) / 100G
Analog/Digital Gain	Manual, Auto; 0 dB – 48 dB, 480 steps	Environmental	-30 °C to +75 °C Operating (-40 °C to +85 °C tested), -40 °C to +85 °C Storage
Digital Gain	1x (0 dB) to 4x (12 dB) with a precision of 0.001x	Humidity	10% to 90% non-condensing – for exposure longer than 30 minutes 100% non-condensing – for exposure up to 30 minutes
Black Level Offset	Manual (0 – 4095), Auto	MTBF	550,000 hours @ 50 °C (EST) (Telcordia SR-332)
White Balance	Manual, Auto, Once, Off	Military Standard	MIL-STD-810G
Shutter Speed	35 µs to 16 s	Regulatory	FCC Part 15, CE, RoHS, UKCA
Exposure Control	Off, Manual, Auto, External		
Regions of Interest (ROI)	2 ROI		
Sub-sampling	1x2, 2x1, 2x2		
Trigger Inputs	External, Pulse Generator, Software		
Trigger Options	Edge, Pulse width, Trigger delay, Debounce		
Trigger Modes	Free run, Standard, Fast		
External Inputs/Outputs	1 IN (OPTO) / 2 OUT (OPTO, TTL)		
Strobe Output	2 strobes, programmable position and duration		
Pulse Generator	Yes, programmable		

Imperx: C2410 Applications

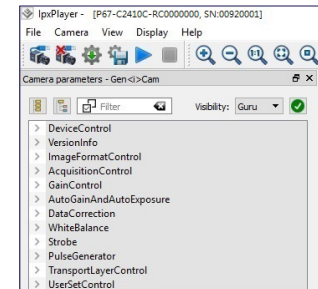
The P67-C2410 incorporates a number of unique features tailored to reduce system complexity, maximize interface bandwidth, and expand the usable operational range.

Aerospace • Satellites • Surveillance • Ball Grid Array • Printed Circuit Board Inspection • Motion Analysis • Broadcast Television • Telepresence • Unmanned Aerial Vehicles • Machine Vision • Intelligent Traffic Systems • Aerial Imaging • Open Road Tolling Systems • Situational Awareness

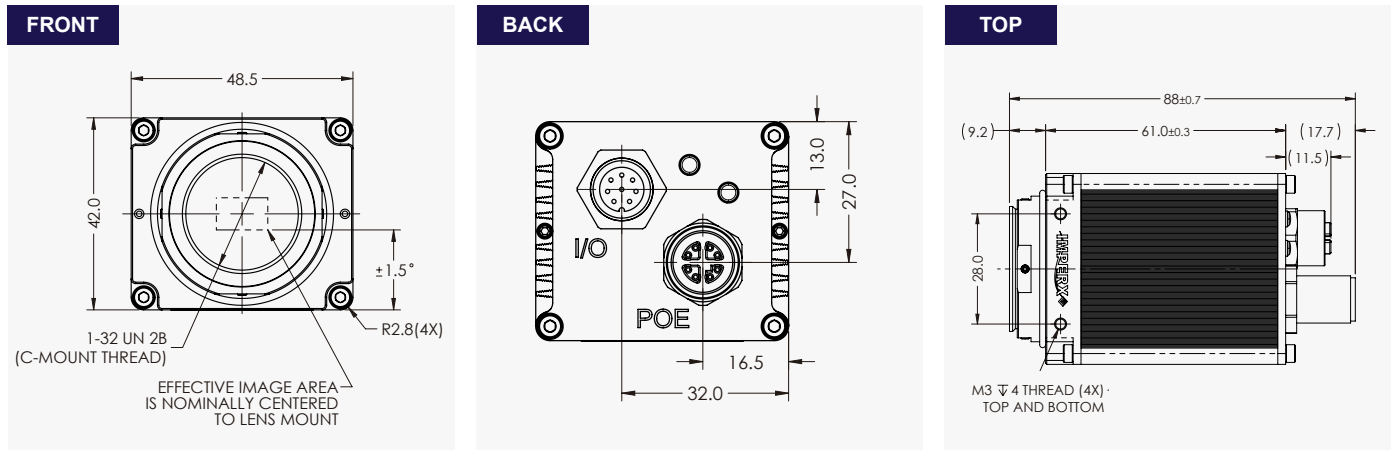
Absolute Quantum Efficiency



Gen<I>Cam Compliant Camera Configurator



Dimensions

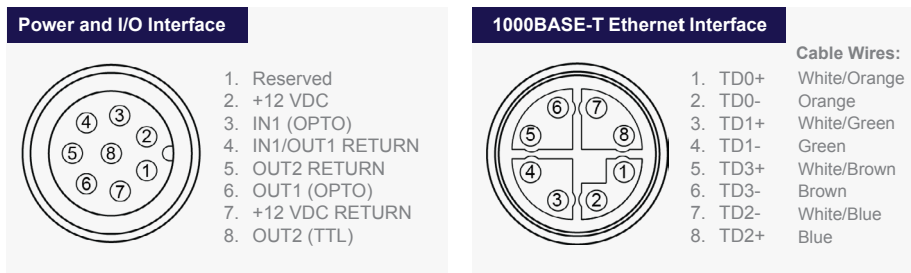


Ordering Information

Please specify the camera model code and select an IP67 lens tube (see IP67 lens tubes spec sheet).

Output Interface	Accessories (Sold separately)
GigE Vision® with Power over Ethernet (PoE)® in IP67 enclosure (P67)	CBL-IO08-0001 – Cable, 8 pin I/O, BULGIN CONN to Pigtail, 2 m
Sensor Types available	CBL-XRJ45-0002 – Cable, RJ45 to 8 position M12/Xcode (IP67 METZ CONN), 2 m
Monochrome	CBL-XRJ45-0003 – Cable, RJ45 to 8 position M12/Xcode (IP67 METZ CONN), 3 m
Bayer Color	CBL-XRJ45-0005 – Cable, RJ45 to 8 position M12/Xcode (IP67 METZ CONN), 5 m
Lens Mounts	CBL-XRJ45-0010 – Cable, RJ45 to 8 position M12/Xcode (IP67 METZ CONN), 10 m
C-Mount	CBL-XRJ45-0015 – Cable, RJ45 to 8 position M12/Xcode (IP67 METZ CONN), 15 m
	CBL-XRJ45-0020 – Cable, RJ45 to 8 position M12/Xcode (IP67 METZ CONN), 20 m

Connectors



Connector: BULGIN PXMBN112RPM08APCM12

Connector: MACOM MMT361A315

Rev: p67_c2410_r10_2022

Quality Management System ISO 9001:2015 Registered
 Environmental Management System ISO 14001:2015 Registered
 DDTC Registered (Directorate of Defense Trade Controls, US Department of State)



IMPERX 6421 Congress Ave., Boca Raton, FL 33487, USA
 Tel: +1-561-989-0006. Email: sales@imperx.com

WWW.IMPERX.COM

Technical data has been fully checked, but accuracy of printed matter is not guaranteed. Subject to change without notice. Copyright 2022.